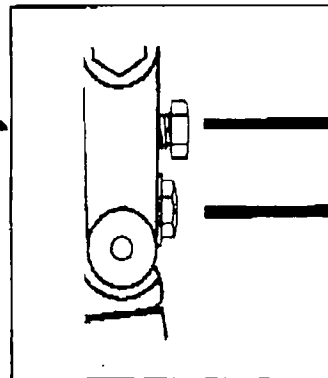
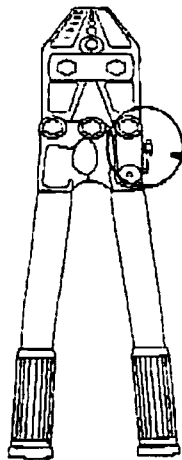


MANUAL FOR CH-18



- + REFINED SHAPE
- + SIMPLE & STRONG STRUCTURE
- + EASY ADJUSTMENT
- + GOOD LEVERAGE ACTION

TOP SET BOLT

BOTTOM BOLT

SPECIFICATION FOR CH-18

HOLE NO	HOLE SIZE	SLEEVE SIZE
1/32	2.5 MM	1.0 MM - 1.5 MM
3/64	3.5 MM	1.5 MM - 2.0 MM
1/16	4.6 MM	2.0 MM - 2.2 MM
3/32	6.1 MM	3.0 MM - 3.5 MM
1/8	8.0 MM	3.5 MM - 4.2 MM

LENGTH	CM	INCH
	39	15

WEIGHT	1.8 Kgs	4.2 Lbs
--------	---------	---------

EASY ADJUSTMENT PROCEDURE FOR CH-18

THIS TOOL IS ORIGINALLY ADJUSTED AT THE FACTORY.

AFTER MANY USES, PLEASE FOLLOWING INSTRUCTION, IF THIS TOOL REQUIRING THE ADJUSTMENT. (OR IF YOU NEED YOUR OWN SPECIAL LEVERAGE ACTION & PRELOAD SETTING.)

1. LOOSEN BOTTOM BOLT SLIGHTLY BY TURNING COUNTER CLOCK-WISE.
2. AND THEN ADJUST THE TOP SET BOLT, AS YOU LIKE YOUR PRELOAD POWER & LEVERAGE ACTION AT YOUR OPTIMUM LEVEL.
(FOR EXAMPLE, IF YOU LIKE THE STRONG ACTION, PLEASE TIGHTEN THE TOP SET BOLT BY TURNING CLOCK-WISE. IF YOU WANT THE SOFT ACTION, PLEASE LOOSEN THE TOP SET BOLT BY TURNING COUNTER CLOCK-WISE.)
3. FINALLY, FIX THE TOOL, TO TIGHTEN THE BOTTOM SCREW BY TURNING CLOCK-WISE.
4. RECHECK